

# RS-06

# Nd-Fe-B N35 Magnet

Overhead Door Contacts

Much Better than Alnico Magnet



## Features:

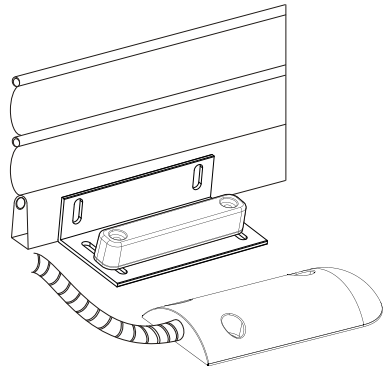
- ⊙ 2" (50 mm) Operating Gap
- ⊙ Nd-Fe-B N35 magnet, high performance than Alnico magnetic !
- ⊙ Material:
  - a. Magnetic contacts pack: Zinc casting
  - b. Magnet casing: ABS
  - c. L-shape bracket: Stainless steel
- ⊙ Armored cable wire length: 24" (61 cm)
- ⊙ UL standard grade AWG#22 wiring
- ⊙ Highly & reliable quality magnet & reed switch
- ⊙ Color: Gray



## Specification:

Operating Gap	2" (50 mm)
Switching Current	0.5 A Max.
Switching Volt.	100 VDC
Contact type	N.C.
Min. Breakdown Volt.	220 VDC (AT < 25) 250 VDC (AT > 25)
Max. Contact rating	10W
Magnet	Nd-Fe-B N35
Armored Cable Length	24" (61 cm)
Operating Temp.	-25°C ~ 45°C

## Installation :



## Size :

