

# Free Power Photoelectric Beam Sensor



IR series: IR-700 / IR-3000 / IR-100 (Normal open or Normal close relay output)  
Sensing Range: 1~30 meters (Depended on detection method)

## Features

- Universal AC /DC input voltage
- IP-66 water proof
- N.C. / N.O. /COMMON relay Output
- 6 feet cable wires
- Mounting bracket / screws included
- VR adjustment screwdriver included
- Sensing range adjustable

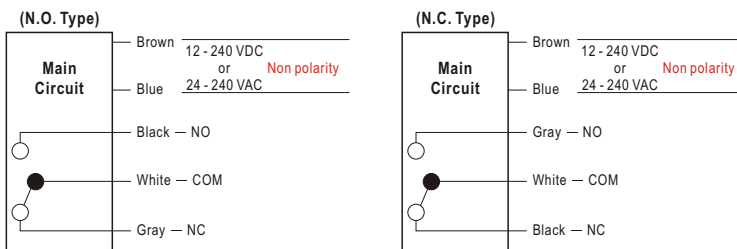
## Applications

- Gate or Garage Door
- Overhead Doors
- Swing gate
- Door Entrance
- Parking Lot
- Alarm System
- Warehouse

## Specifications

Detection Method		Retro-Reflection	Through Beam	Diffused Reflection
Item No.	N.C.	IR-700L	IR-3000L	IR-100L
	N.O.	IR-700D	IR-3000D	IR-100D
Sensing Range		7 meters	30 meters	1 meter
Input Voltage		DC 12-240V +/- 10% or AC 24-240V +/- 10%		
Response Time		15ms		
Emitting Element		IR LED		
Operation Indicator		Yellow LED (turn on when beam is broken)		
Dimensions		21mm (w) x 55 mm(h) x 50 mm(d)		
Current Consumption		Beam aligned.: 20mA    Beam broken.: 47mA—NO Beam aligned.: 47mA    Beam broken.: 20mA—NC		
Output Method		Relay output		
Contact Current		3A/250VAC		
Illumination		Lamp light < 10,000 Lux ; Sunlight < 30,000 Lux		
Connection Method		Cable lead wires: Brown/Blue/White/Black/Gray		
Noise Resistance		1500Vp-P/1us		
Surge Resistance		2KV/1uS		
Vibration Resistance		10-55Hz/1.5mm, 2 Hour In X.Y.Z. Phase		
Housing Material		Case: Intensive ABS; Lens: PC		
Operating Temp.		-20°C ~ 60°C		
Water Proof		IP-66		
Safety Standard		CE		

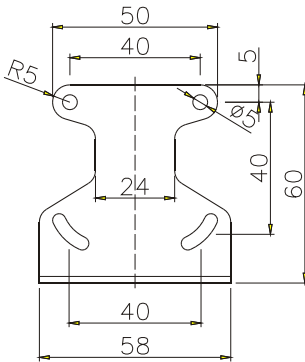
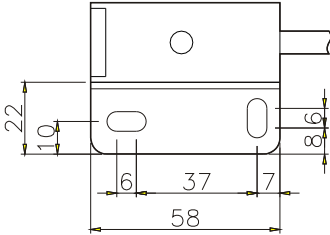
## Wiring Connection



## Dimensions

Sensor and bracket

Size : 21mm(w) × 55mm(h) × 50 mm(d)



Reflector (mirror)

51mm(w) × 61mm(h) × 8mm(t) – Frame included

51mm(w) × 51mm(i) × 3mm(t) – Mirror only

