

## Wireless Door Entry Alarm & Counting System ( Infrared Beam )

### Applications

- Garage Door / Door Way / Overhead Door / Swing Gate / Entrance / Super Market / Restaurant / Warehouse

### Features

- Wireless Retro-Reflective Photoelectric Beam Sensor
- Range: 3.14 to 22 feet (0.5~ 7 meters)
- Door Chime/Alarm Speaker Included.
- Switching Power Supply Mode AC/DC Adaptor
- Wireless Photo Beams to Speaker
- Volume of Speaker: Adjustable
- Sounding Time: 3~30 seconds

### Specifications

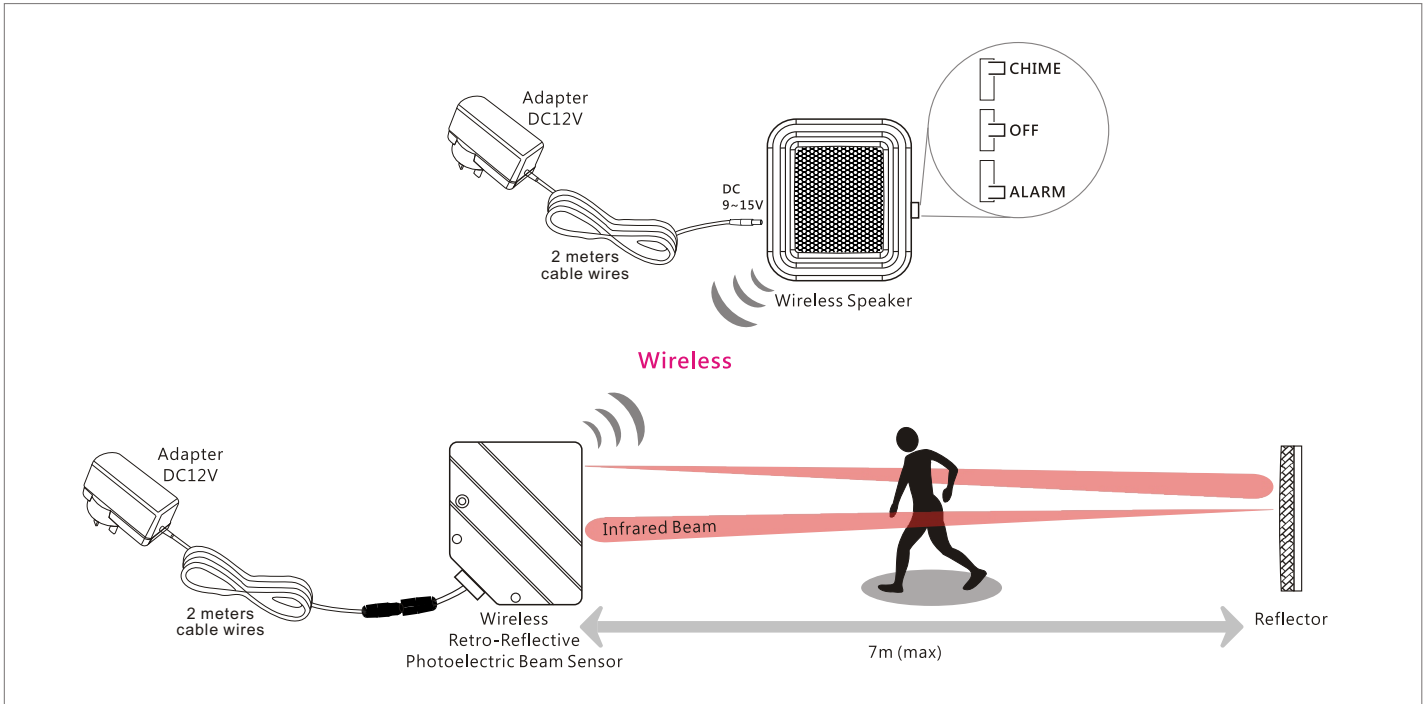
#### Photoelectric Beam Sensor

Type	Infrared Receiver Modules for Remote Control Systems
Housing	ABS
Radio Frequency	433.92 MHz (315, 866 MHz available also.)
LED Emitting Element	Infrared LED Indicator (Red)
Sensing Range	3.14 to 22 feet (0.5~ 7 meters)
Power Supply	Switching mode power adaptor for sensor & speaker
Current Drain (mA)	Standby (Beam Aligned properly): 3.7 mA / Beam Broken:14 mA
Power input wire	DC Jack (φ)5.5mm / 2.1mm x (L)12cm

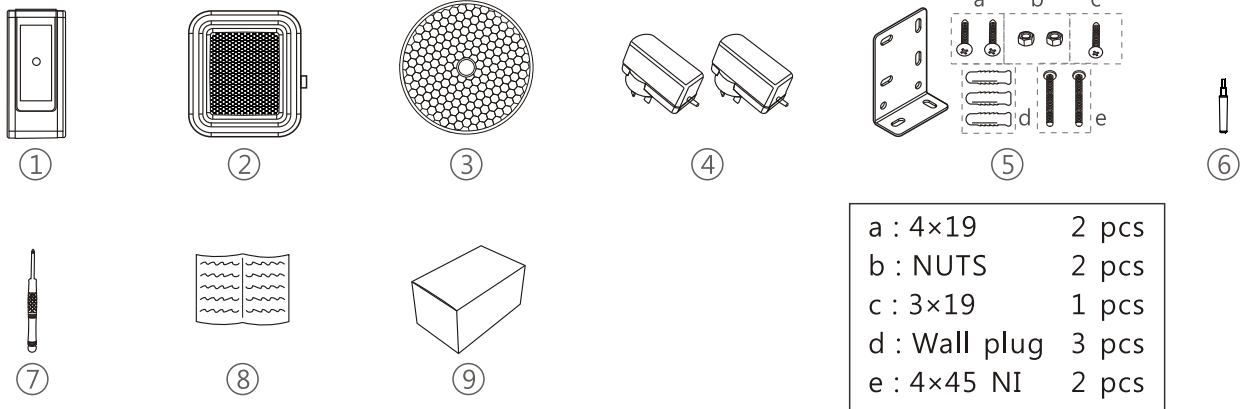
#### Wireless Door Announcer

Type	Microprocessor based control unit
Housing	ABS
Radio Frequency	433.92MHz
Coverage Range	≤100m (Open space)
Volume of Speaker	0 ~ Max (Adjustable)
Chime/Alarm Time	30 sec max. (Adjustable)
Power Supply (Input)	Switching mode power adaptor for sensor & speaker
Power input Jack	DC Jack (φ)5.5mm/2.1mm
Power Supply (Output)	12VDC/130 mA
Power output Jack	Phone Jack (φ)3.5mm
Temperature	0°C ~ 50°C

## Wiring Connection



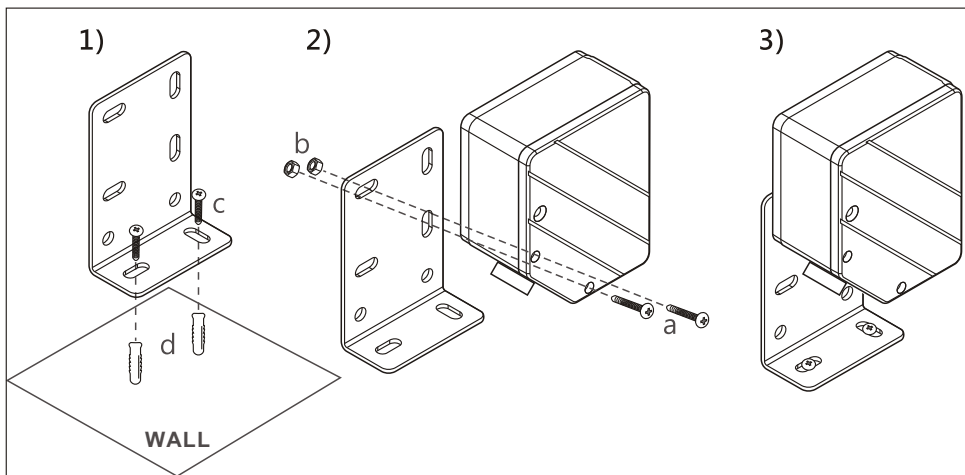
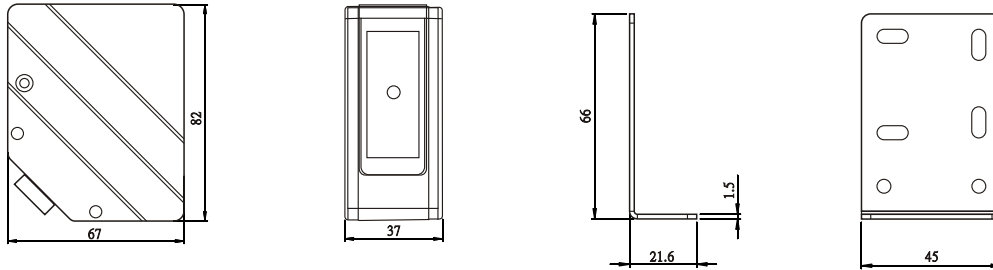
## Each unit includes.



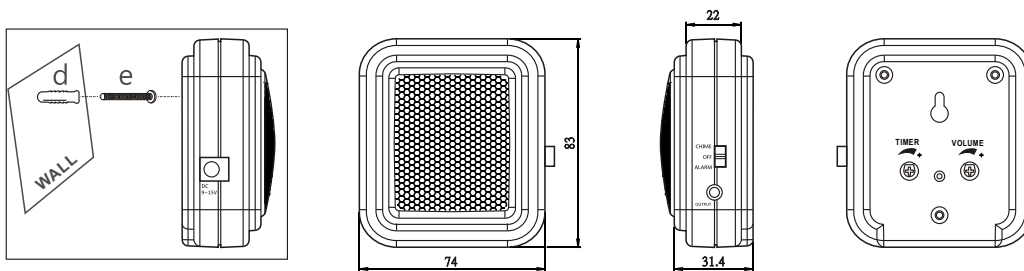
- 1 · Wireless Retro-Reflective Photoelectric Beam Sensor (Model No.: DES-700WL-A-Photocell)
- 2 · Wireless Speaker (Chime/Alarm Sound selectable)  
(Duration and volume of Chime/Alarm adjustable) (Model No.: SPK-300)
- 3 · Reflector (Model No.: RR-80G)
- 4 · AC/DC Adaptors (Switching Mode)  
(Model No.: SPS-300)-2 pcs, One for sensor, The other for speaker
- 5 · Mounting Bracket & screws for Sensor (Model No.: MB-300)
- 6 · Setting up pushing stick
- 7 · Screw driver for Duration and volume adjustment of speaker (Model No.: SD-300)
- 8 · Manual
- 9 · Inner box (color or white box)

## Introduction to accessories & dimensions

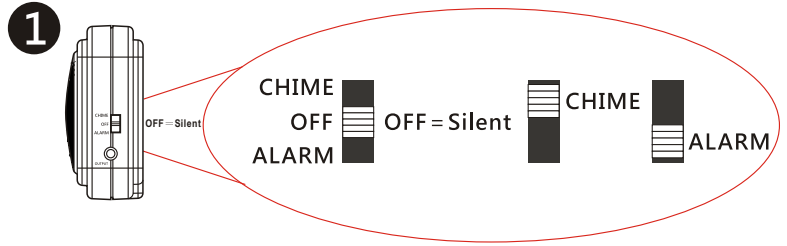
### A · DES-700WL-A-Photoelectric Beam Sensor & Bracket (MB-300)



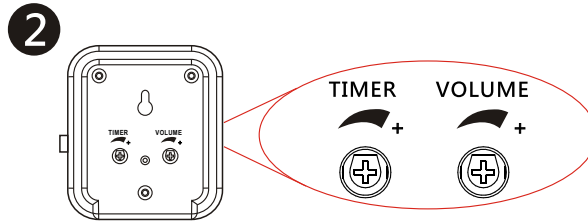
### B · SPK-300: Siren



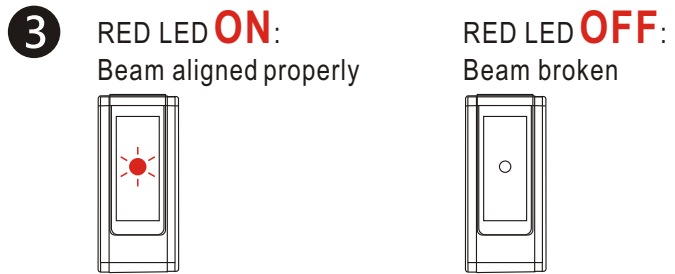
1. Please check that the speaker is switched to the "Chime" or "Alarm" position. (Off=Silent)



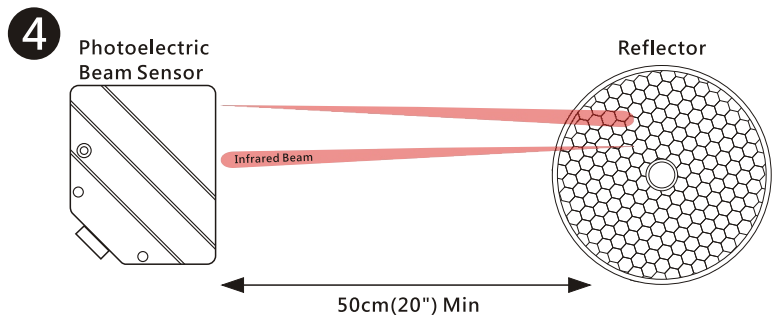
2. Please check that the timer and volume potentiometers are NOT in their min. Position.



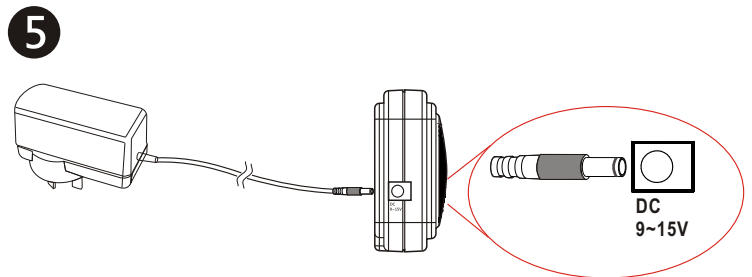
3. The RED LED will be **ON** when the beam is properly aligned, if the LED is **OFF** please realign the beam.



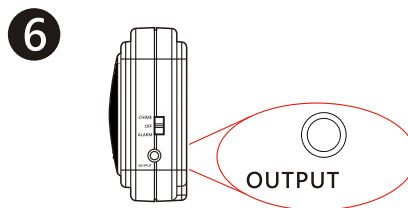
4. The reflector should be mounted a minimum of 50cm from the sensor otherwise it will be impossible to align the beam properly.



5. Make sure the plug of AC/DC adaptor is inserted into the DC9~15V socket of the speaker.



6. If you have purchased the 4 digits counter (optional), it should be connected to the "OUTPUT" of the speaker via the included 10 m cable.



7. Please use the attached screwdriver in the inner box, Don't use any other size.

