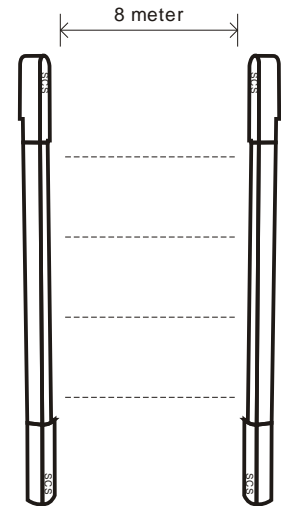


# Manual of Barrier (Curtain) Sensor

## BS-200 / BS-400 / BS-600 / BS-800

- BS-200: 2 Beams - 57 cm long.**
- BS-400: 4 Beams - 105 cm long.**
- BS-600: 6 Beams - 153 cm long.**
- BS-800: 8 Beams - 201 cm long.**



### Applications

- Indoor / Outdoor perimeter security system
- Window, Door. When the mounting space is limited
- Internal / External protection / Terrace / Sliding door

### Features

- Aluminum housing / PC Resin anti-UV cover / ABS side cap.
- Anti-tamper circuit triggers alarm if power is cut or end cap is removed.
- Slim aluminum housing, anti high-low temperature / fog / rains.
- 2 or 4 / 6 / 8 separate photoelectric beam sensors. Programmable trigger on simultaneous breaking of any single or 2 adjacent beams.
- Cable wire or terminal block connection.
- Alarm: Break one or two adjacent beams.
- Tx power adjustment: Normal/Strong.
- Sensing range: 8 meters (26 ft.)-outdoor  
16 meters (52 ft.)-indoor
- N.O./N.C./Common relay output.
- Mounting hardware included.
- No synchronizing wires required.

### Specifications



Sensing range	8 meters (26 feet) max.-outdoor / 16 meters (52 feet) max.-indoor
Input Voltage	10-30VDC
Detection method	Break one beam or two adjacent beams (1) 1 beam: 2 sec. Alarm. (2) 2 adjacent beams: immediately
Signal output	Normal open / Normal close / Common relay output
Response Time	200 msec
Contact rating	1A/120VAC ; 1A/24VDC
Tx Power Adjustment (Metal Jumper 4)	(a) Strong (original): jumper 4 is connected (b) Normal: jumper 4 is open (On Tx Side)
Wiring Connection	(a) Cable wires or (b) Terminal block (See page 3)
Power Led indicator	Green Led (On both Tx/Rx unit) - On : powered -Off : no power
Led indicator for Beam alignment	Red Led (On Rx unit) On : when beam is broken ; Off : when beam is aligned properly
Buzzer Alarm (for beam alignment) Black jumper 3 (ON Rx)unit	(a) On : when sensor is connected with DC power & before beam alignment is done. (b) Off : when beam aligned properly ; automatically. ***This function can be cancelled by jumper3 removed***
Tamper Switch	4 pcs/each set ; 2 on both sides of Tx/2 on both side of Rx
Operating Temp	-45°C ~55°C (-49°F ~131°F)
Dimensions	W: 35 mm / H: 30 mm / L: see following
Humidity	70%

# Manual of Barrier (Curtain) Sensor

Item NO. / Beams / Product Length and Consumption current

Item	Beams	Length (cm)	Consumption current(Buzzer alarm not included) DC12V(Tolerance: ±15%) – Unit: mA
BS-200(Tx)	2	57	35
BS-400(Tx)	4	105	53
BS-600(Tx)	6	153	73
BS-800(Tx)	8	201	92

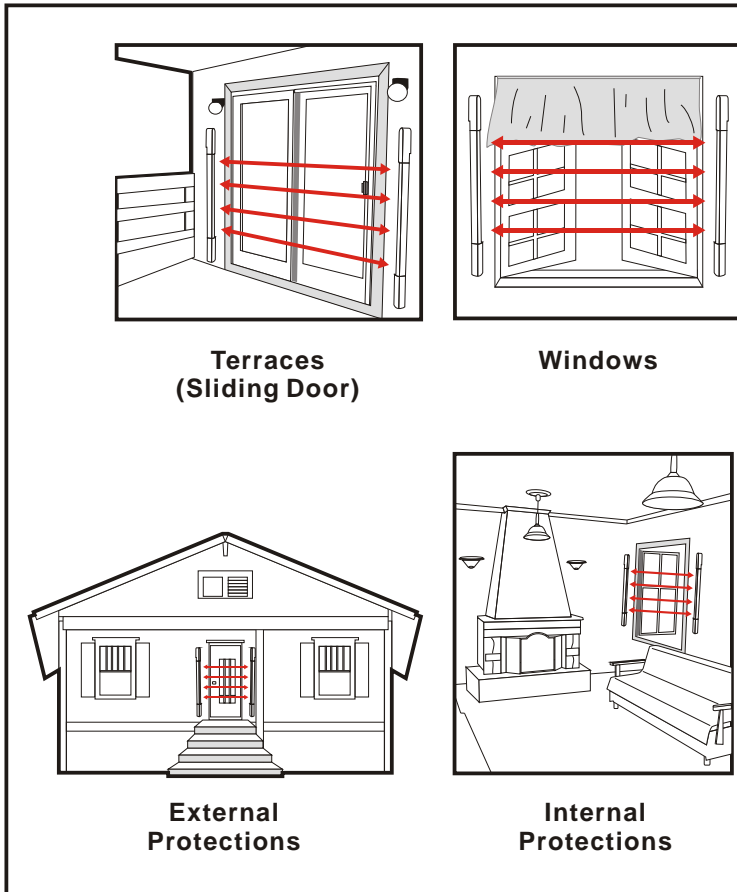
Item	Beams	Length (cm)	Consumption current(Buzzer alarm not included) DC12V(Tolerance: ±15%) – Unit: mA	
			Beam Aligned	Beam Broken
BS-200(Rx)	2	57	32	14
BS-400(Rx)	4	105	34	16
BS-600(Rx)	6	153	36	18
BS-800(Rx)	8	201	38	20

Wiring Connection – STANDARD

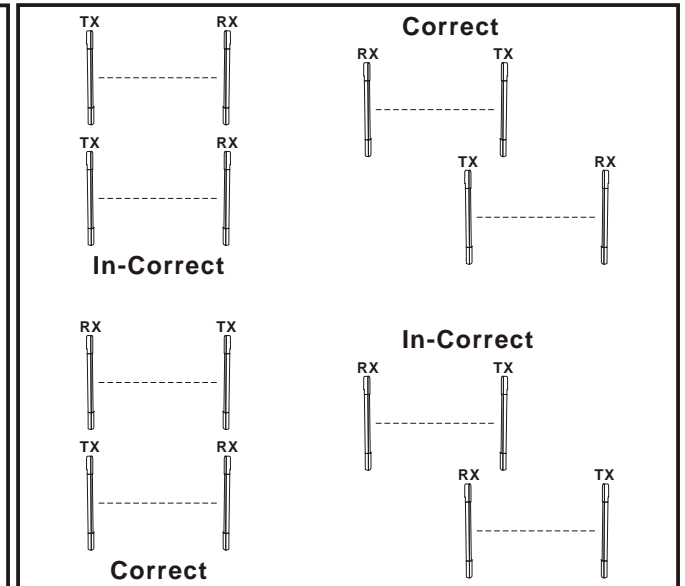
Transmitter	
Red	DC (+)
Black	GND
Green	Tamper switch
Yellow	Tamper switch
<b>Jumper 4 (Tx power selection)</b>	Cut jumper: Normal Short jumper: Strong

Receiver	
Red	DC (+)
Black	GND
Green	Tamper switch
Yellow	Tamper switch
White	Normal close
Blue	Common
Orange	Normal open

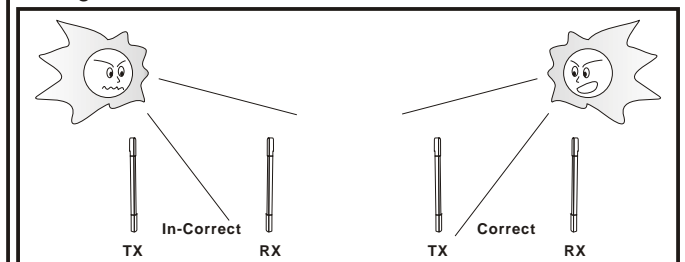
Applications



Installation Notes

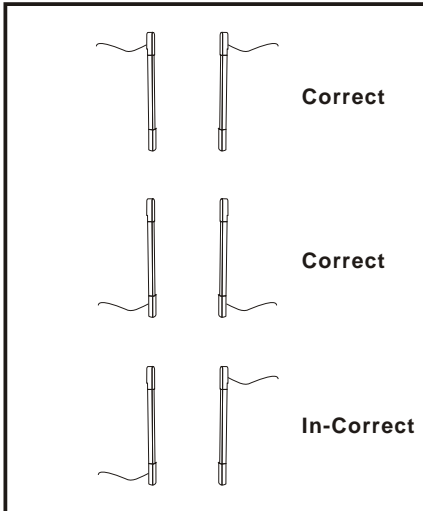


Sunlight

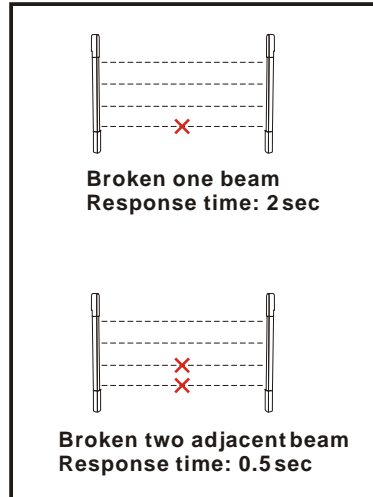


# Manual of Barrier (Curtain) Sensor

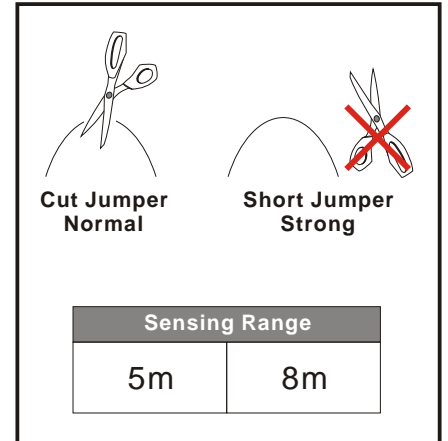
## Wiring Connection



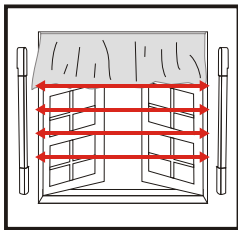
## Response Time



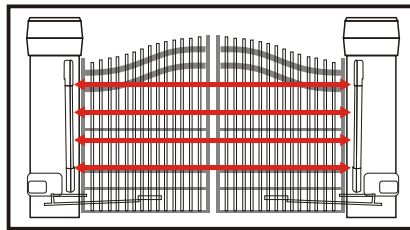
## Jumper 4-On Tx Side



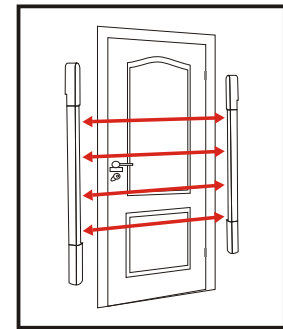
## Typical Installations



Windows (Internal / External)

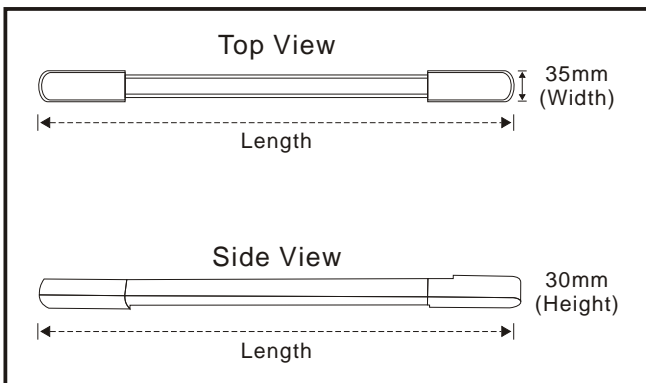


Gate



Door

## Dimensions

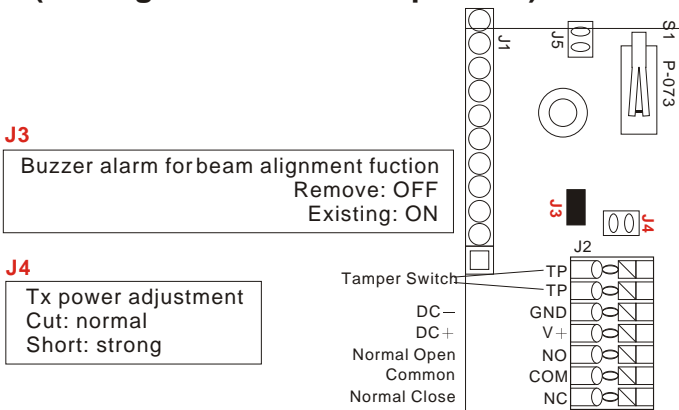


## Length

Item	Beams	Length (cm)
BS-200	2	57
BS-400	4	105
BS-600	6	153
BS-800	8	201

## Terminal Block

### (Wiring Connection - Optional)



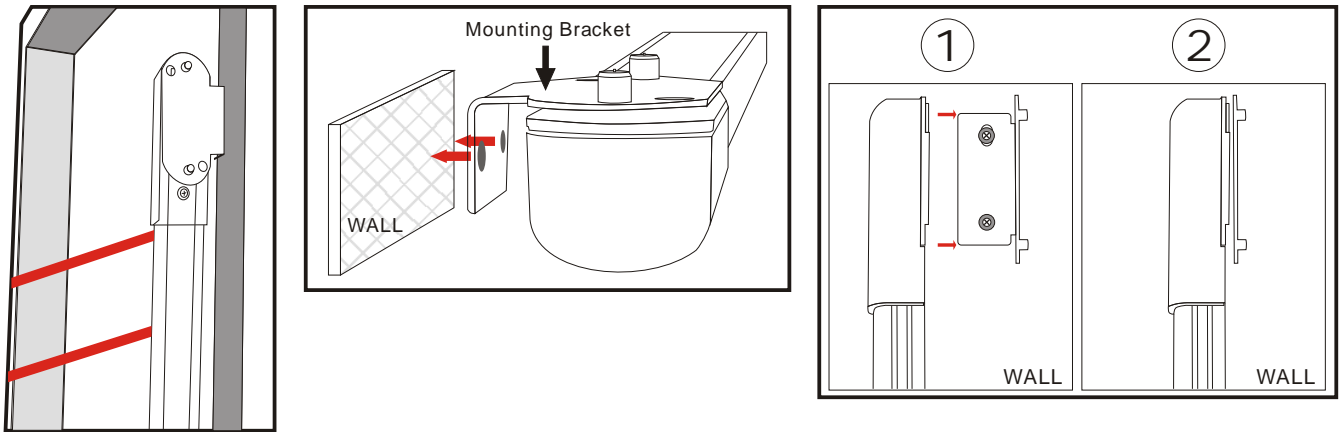
## Order

BS-XXX

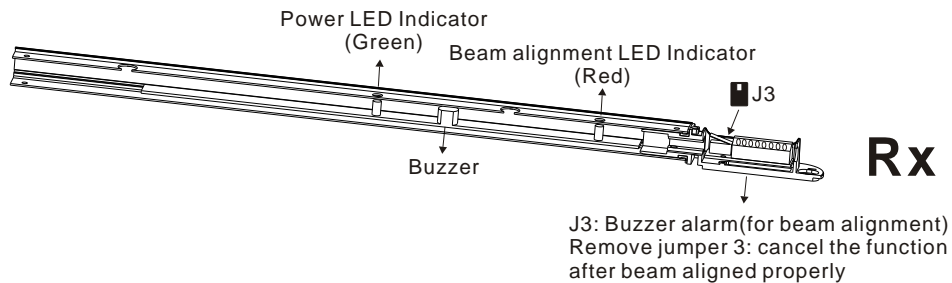
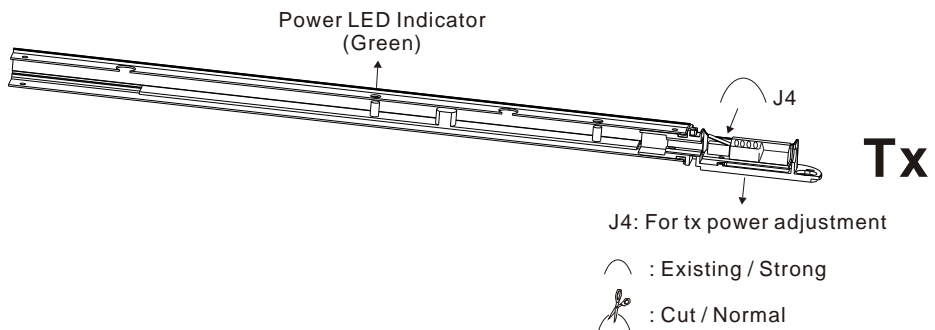
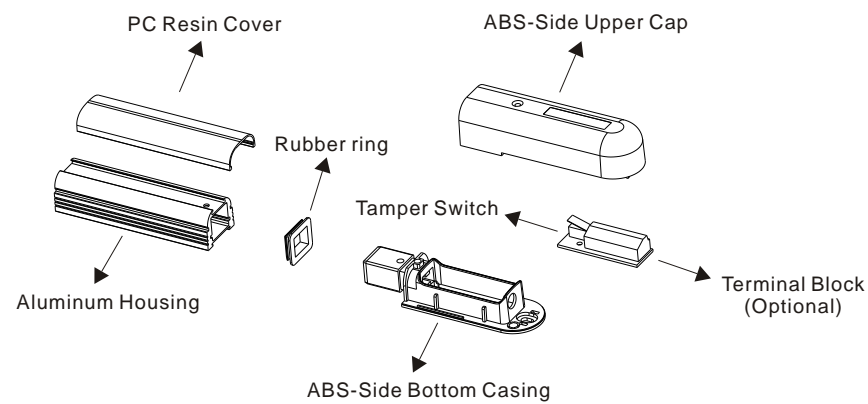
BCS: Barrier / Curtain Sensor  
"X": X means 200 or 400 or 600 or 800 beams

# Manual of Barrier (Curtain) Sensor

## Standard Installation



## Internal View



## Sensing range Vs. Sunlight

Sunlight(Lux)	Sensing Range
< 30,000	8meters
< 40,000	7meters
< 50,000	6meters
< 60,000	5meters
< 70,000	4meters
< 80,000	3meters

## Mounting bracket

