



# *Mini M18 series* *Photoelectric Beam Sensor*



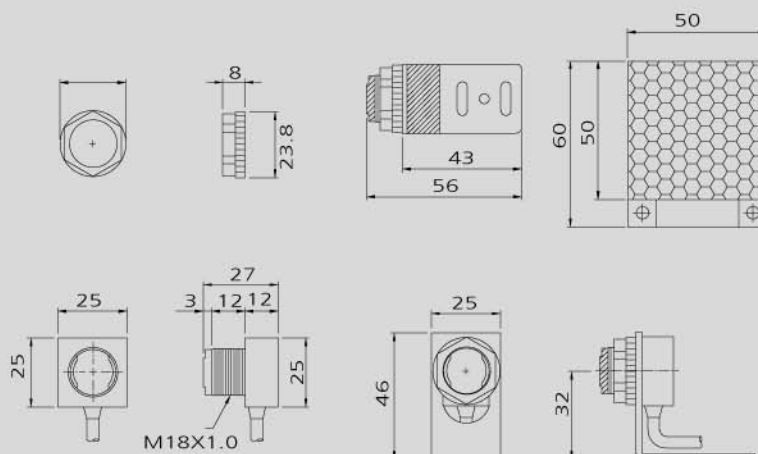
## **Features**

- Mini size:30mm(L)\* 18mm(D).
- Super sensing range:30 meters (Through Beam).
- Twice Output:Both NPN/PNP.
- Water proof:IP 67.

**DIMENSIONS:**



**Retro-Reflection  
IR-300 M18**



UNIT:mm

**SPECIFICATIONS:**



**Through Beam  
IR-3000 M18**



**Diffused Type  
IR-15 M18**

Detection Method	Retro-Reflection	Through Beam	Diffused Type
Model No.	IR-300 M18	IR-3000 M18	IR-15 M18
Output Status	NPN/PNP	NPN/PNP	NPN/PNP
Sensing Range	3m	30m	15cm
Operating Volt.	10-30VDC: RIPPLE <20% OF P.P		
Consumption Current	20mA	35mA	20mA
Output	Both NPN/PNP(Selectable)		
Output Current	150 mA Max.		
Residual Voltage	0.8V Max.		
Leakage Current	Circuit 0.8 mA Max.		
Protection Circuit	1. Short 2. Polarity reversed protection		
Response Time	1 ms	5ms	1ms
Sensing Adjuster	None	None	270 Trimmer
Hysteresis	20% of sensing range max.		
Illumination	Lamp light <10,000 LUX, Sunlight<20,000 LUX		
Housing Material	Intensive ABS		
Ambient Temp.	-20°C~60°C ; 35%-85%RH		
Water Proof	IP-67		

**Applications:**

- Car Washing machine or Conveyer.
- Gate or garage door.
- Barrier.
- Door entrance.
- Parking lot.
- Alarm system.
- Warehouse.
- Overhead doors.