



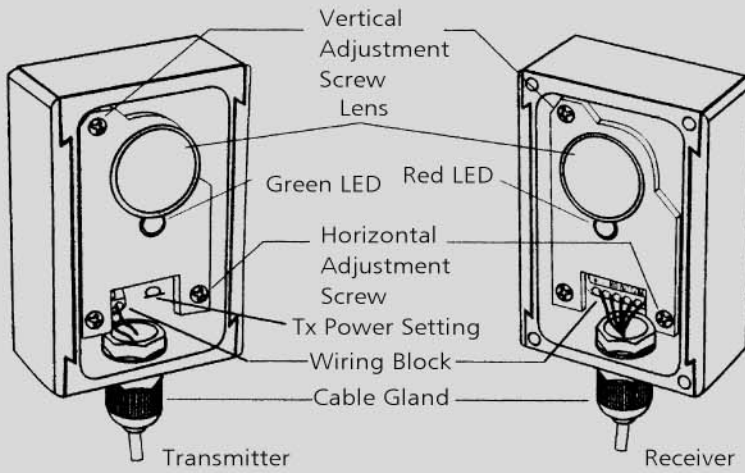
Single Photoelectric Beam Sensor



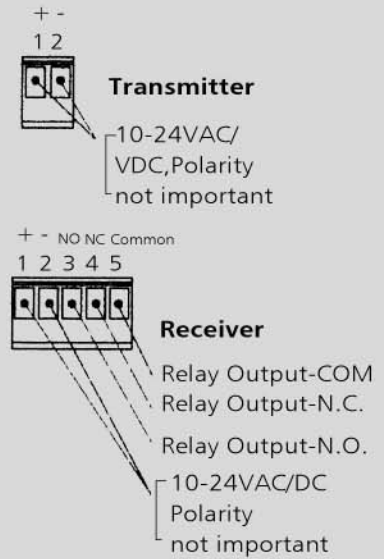
Features

- Long sensing range:30 meters.
- IP-66 water proof.
- N.C./N.O. /Common Output.
- Terminal block wiring connection.
- Mounting bracket/screws included.
- Transmitter power adjustment.
- AC/DC 10~ 24V input voltage.

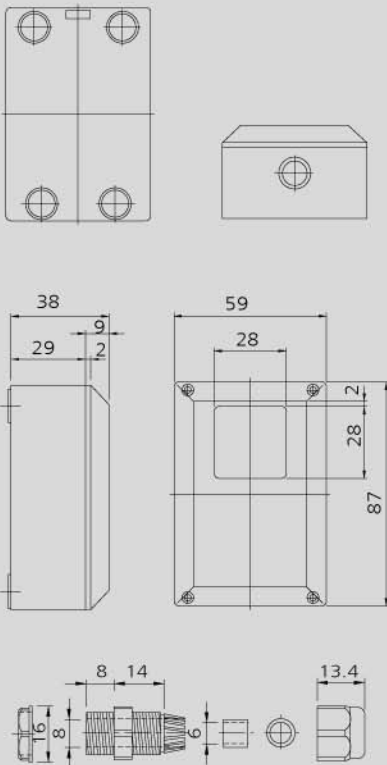
PARTS IDENTIFICATION:



WIRING:



DIMENSIONS:



UNIT:mm

CABLE GLAND:



SPECIFICATIONS:

Item NO.	IR-3000G
Detection Method	Through Beam
Sensing Range	30 meters
Input Voltage	AC/DC 10-24V
Response Time	100 msec
Emitting Element	Infrared LED
Operation Indicator	Red Led(Rx): off (when beam is broken), Green Led(Tx):on
Dimensions	21mm(w) * 87mm(h)* 38 mm(t)
Output Method	Relay output(N.C./N.O/Common)
Current Consumption	Tx:33.5mA / Rx:27.5mA (when beam is aligned) Tx:33.5mA / Rx:13mA (when beam is broken)
Contact Current	1A/120VAC
Tx power adjustment	1. Strong: short jumper 2. Normal: jumper open
Sensing angle adjustment	Horizontal: ±5° , Vertical: ±5°
Illumination	Lamplight < 10,000 Lux ; Sunlight < 30,000 Lux
Connection Method	Terminal Block
Noise Resistance	1500Vp-P/1uS
Surge Resistance	2KV/1uS
Vibration Resistance	10-55Hz/1.5mm, 2 Hours In X.Y.Z. Phase
Housing Material	Case: Nylon,Lens:PC
Operating Temp.	-13°F(-25°C)~140°F(60°C)
Water Proof	IP-66
Safety Standard	CE

Applications:

- Gate or garage door.
- Barrier.
- Alarm system.
- Door entrance.
- Overhead doors.
- Parking lot.
- Warehouse.